

FEATURES

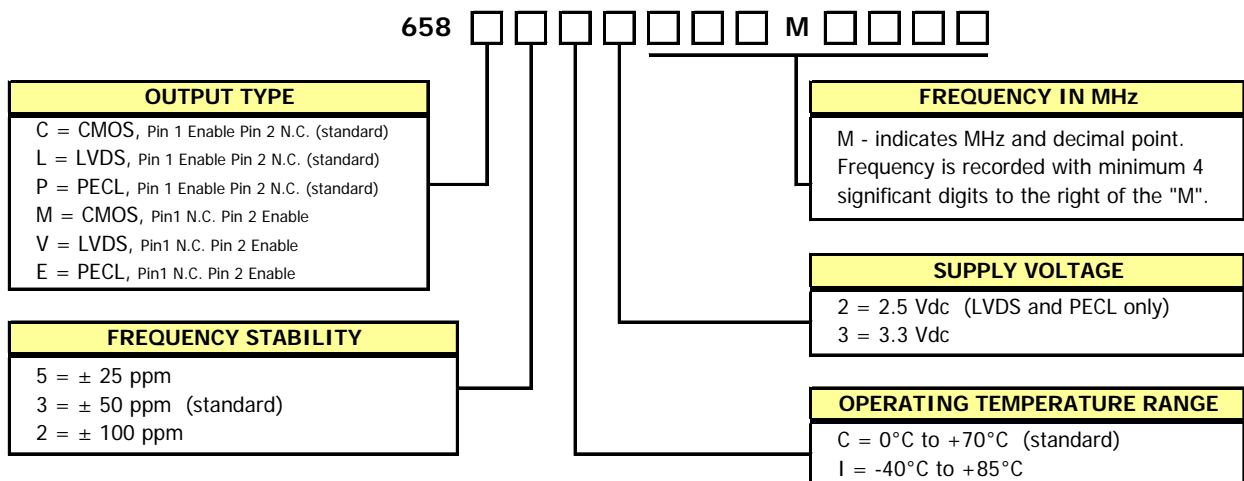
- Standard 7x5mm Surface Mount Footprint
- LVCMOS, Differential LVPECL or LVDS Outputs
- Frequency Range 38 – 750 MHz
- Frequency Stability, ± 50 ppm Standard (± 25 ppm and ± 100 ppm available)
- +2.5Vdc or +3.3Vdc Operation
- Operating Temperature to -40°C to $+85^{\circ}\text{C}$
- Output Enable Standard
- Low Phase Jitter, *PLL Multiplier*
- Tape & Reel Packaging
- **RoHS/Green Compliant**

DESCRIPTION

The Model 658 is a ceramic packaged Clock oscillator offering reduced size and enhanced stability. The small size means it is perfect for any application. The enhanced stability means it is the perfect choice for today's communications applications that require tight frequency control.



ORDERING INFORMATION



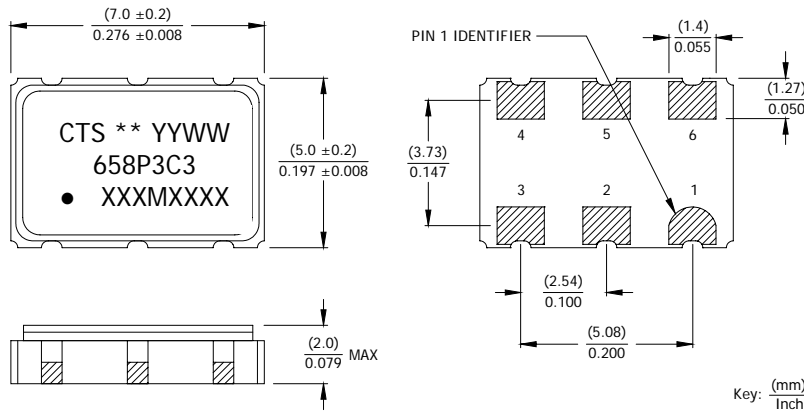
Example Part Number: 658P3C3155M5200



Model 658
7x5mm Low Cost
LVC MOS, LVPECL or LVDS Clock

MECHANICAL SPECIFICATIONS

PACKAGE DRAWING



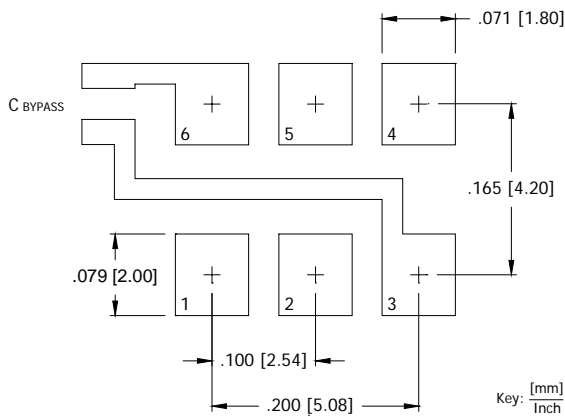
MARKING INFORMATION

1. ** - Manufacturing Site Code.
2. YYWW – Date code, YY – year, WW – week.
3. Truncated CTS part number.
4. XXXMXXXX - Frequency marked with 4 significant digits after the 'M'.

NOTES

1. Termination pads (e4), barrier-plating is nickel (Ni) with gold (Au) flash plate.
2. Reflow conditions per JEDEC J-STD-020.

SUGGESTED SOLDER PAD GEOMETRY



C_{BYPASS} should be ≥ 0.01 uF.

SUGGESTED REFLOW PROFILE

