



Model 635

Low Jitter LVPECL or LVDS Clock

Features

- Ceramic Surface Mount Package
- Low Phase Jitter Performance, 700fs Maximum
- Fundamental or 3rd Overtone Crystal Design
- Frequency Range 10 – 320MHz *
- +2.5V or +3.3V Operation
- Output Enable Standard
- Tape and Reel Packaging, EIA-418



Part Dimensions:
7.0 × 5.0 × 2.0mm • 178.462mg

Applications

- SerDes
- Storage Area Networking
- Broadband Access
- SONET/SDH/DWDM
- PON
- Ethernet/GbE/SyncE
- Fiber Channel
- Test and Measurement

Standard Frequencies

- 25.00MHz
- 50.00MHz
- 100.00MHz
- 125.00MHz
- 155.52MHz
- 156.25MHz
- 161.1328MHz
- 187.50MHz
- 200.00MHz
- 212.50MHz
- 250.00MHz
- 312.50MHz

* Check with factory for availability.

Description

CTS Model 635 is a low cost, high performance clock oscillator supporting differential LVPECL or LVDS outputs. Employing the latest IC technology, M635 has excellent stability and low jitter/phase noise performance.

Ordering Information

Model	Output Type	Frequency Stability	Temperature Range	Supply Voltage	Frequency Code [MHz]
635	P	3	I	3	XXXMXXXX

Code	Output
P	LVPECL - Pin 1 Enable
L	LVDS - Pin 1 Enable
E	LVPECL - Pin 2 Enable
V	LVDS - Pin 2 Enable

Code	Temp. Range
A	-10°C to +60°C
C	-20°C to +70°C
I	-40°C to +85°C

Code	Frequency
Product Frequency Code ²	

Code	Stability
6	±20ppm ¹
5	±25ppm
3	±50ppm
2	±100ppm

Code	Voltage
2	+2.5Vdc
3	+3.3Vdc

Table I

Nominal Frequency [MHz]	Part Number Frequency Code
025.000625	025M0006
074.175824	074M175B
101.575694	101M5756
125.009375	125M0093
148.351648	148M351A
153.600770	153M6007
156.253906	156M2539
178.018970	178M0189

Example: P/N Frequency = Actual Frequency.
148M351A = 148.351648MHz

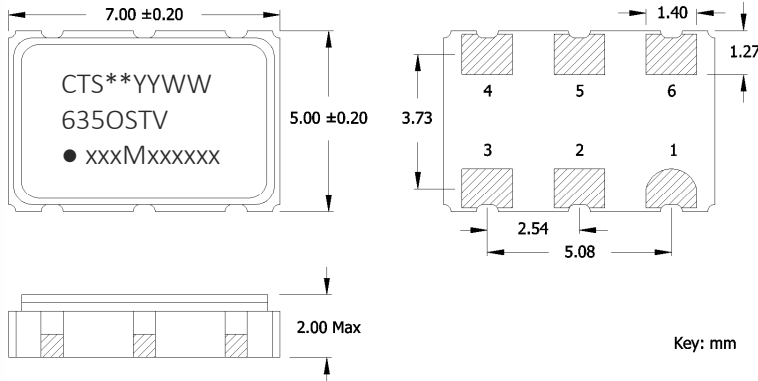
Notes:

- 1] Consult factory for availability of 6I Stability/Temperature combination.
- 2] Frequency is recorded with 3 significant digits before the 'M' and 4 significant digits after the 'M', including zeros. See Table I for frequency codes that exceed 4 significant digits.

Not all performance combinations and frequencies may be available.
Contact your local CTS Representative or CTS Customer Service for availability.

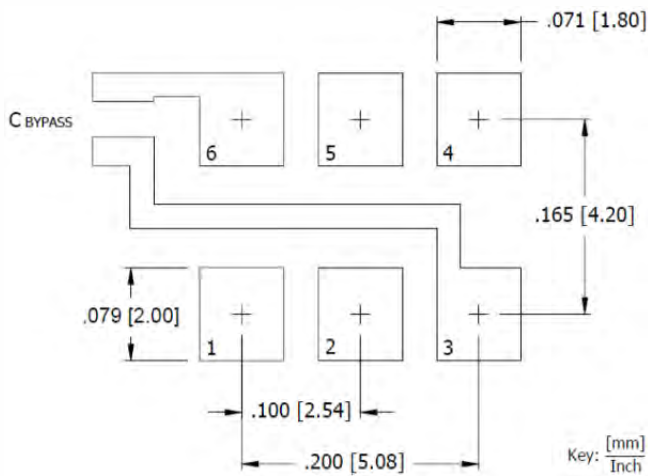
SHENZHEN YIJIN ELECTRONICS CO: LTD TEL: 0755-27876565

18924600166 QQ: 857950243 <http://www.vc-tcxo.com>



1. ** - Manufacturing Site Code.
2. YYWW – Date Code; YY – year, WW – week.
3. O – Output Type; P or E = LVPECL, L or V = LVDS.
4. ST – Frequency Stability/Temperature Code.
[Refer to Ordering Information]
5. V – Voltage Code; 3 = 3.3V, 2 = 2.5V.
6. xxxMxxxxxx – Frequency is marked with only leading significant digits before the “M” and 4 – 6 digits after the “M” [including zeros].

Ex.	Frequency	Marking
	19.44MHz	19M4400
	153.60077MHz	153M60077
	148.351648	148M351648



1. JEDEC termination code (e4). Barrier-plating is nickel [Ni] with gold [Au] flash plate.
2. Reflow conditions per JEDEC J-STD-020; +260°C maximum, 20 seconds.
3. MSL = 1.

1	EOH or N.C.	Enable [std] or No Connect
2	N.C. or EOH	No Connect or Enable [opt]
3	GND	Circuit & Package Ground
4	Output	RF Output
5	Output	Complimentary RF Output
6	V _{CC}	Supply Voltage

Packaging - Tape and Reel

SHENZHEN YIJIN ELECTRONICS CO: LTD TEL: 0755-27876565

18924600166 QQ: 857950243 <http://www.vc-tcxo.com>