

Crystal Oscillator



NV2520SA / NV3225SA

Voltage Controlled Crystal Oscillator (VCXO)

Main Application

For Mobile TV, DSC, Navigation Device, DVD, Blu-ray, etc

Features

- A compact and thin.
- Frequency control range : Min. $\pm 100 \times 10^{-6}$
- Operating temperature range : -40 to $+85^\circ\text{C}$
- Output level : CMOS
- Supports low current consumption.



Model Name : NV2520SA



Model Name : NV3225SA

Pb Free

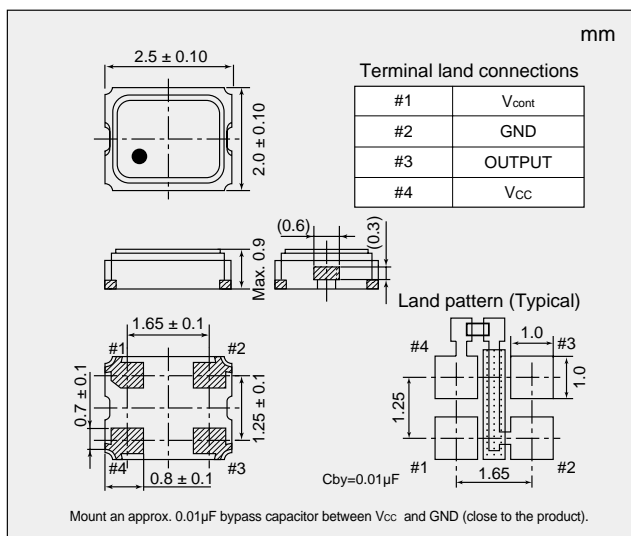
RoHS Compliant
Directive 2011/65/EU

Specifications

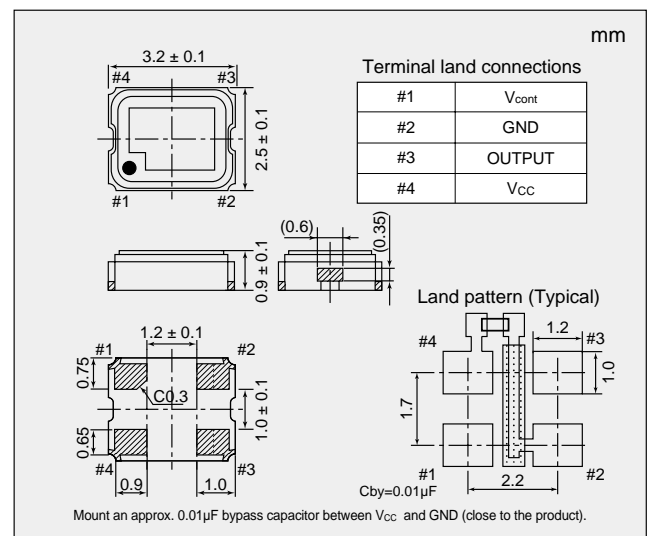
Item	Model	NV2520SA / NV3225SA						
Nominal Frequency (MHz)		$1.25 \leq F < 10$	$10 \leq F < 20$	$20 \leq F < 30$	$30 \leq F \leq 40$	$40 < F < 50$	$50 \leq F \leq 65$	$65 < F \leq 80$
Supply Voltage [V _{cc}] (V)		$+3.3 \pm 10\%$						
Current Consumption (mA)		Max. 3	Max. 4.5	Max. 5	Max. 6	Max. 9	Max. 10	Max. 11
Output Level		CMOS						
Symmetry (%)		45 to 55						
Output Load Condition		15 pF						
Operating Temperature Range ($^\circ\text{C}$)		-40 to $+85$						
Storage Temperature Range ($^\circ\text{C}$)		-55 to $+125$						
Overall Frequency Tolerance		Max. $\pm 50 \times 10^{-6}$						
Frequency Control Range / Control Voltage [V _{cont}]		Min. $\pm 100 \times 10^{-6}$ / $+ 1.65 \pm 1.65$ V						
Frequency Change Polarity		Positive						
Phase Noise (dBc / Hz)	Fout $\pm 1\text{kHz}$ (typ.)	-145	-140	-135	-126	-119		
	Fout $\pm 100\text{kHz}$ (typ.)	-160	-156	-154	-151	-146		

Dimensions

Model Name : NV2520SA



Model Name : NV3225SA



Specification Number

Please specify the model name, frequency, and specification number when you order products.
For further questions regarding specifications, please feel free to contact us.

Model Name	NV2520SA	NV3225SA
Specification Number	NSA3458A	NSA3457A

SHENZHEN YIJIN ELECTRONICS CO: LTD TEL: 0755-27876565

18924600166 QQ: 857950243 <http://www.vc-tcxo.com>