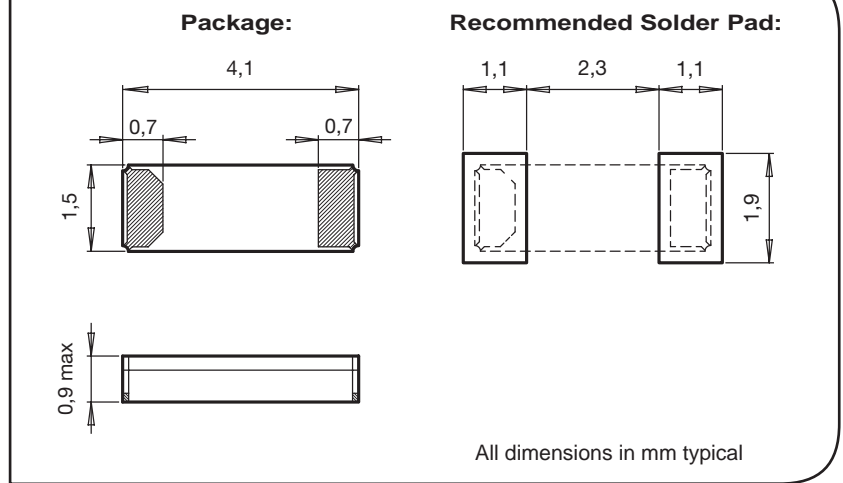


CC5V-T1A

Tuning Fork Crystal 32.768 kHz



DIMENSIONS



APPLICATIONS

Metering
Industrial
Automotive
Health Care
Medical Implantable
Harsh Environments

DESCRIPTION

The CC5V-T1A is a low frequency SMT Quartz Crystal Unit that incorporates a tuning fork Quartz Crystal Resonator. It operates under vacuum in a hermetically sealed ceramic package with ceramic lid.

FEATURES

Mature product for harsh environments.
Outstanding hermetic sealing with gold-tin preform.
High stability and low aging guaranteed by hermetic sealing.
Available for extended operating temperature range.
High shock and vibration resistant.
100% Pb-free, RoHS-compliant.

ELECTRICAL CHARACTERISTICS AT 25°C

Standard Frequencies 32.768 kHz / 102.400 kHz ¹⁾	F _L	32.768	kHz
Load capacitance ²⁾	C _L	6.0 / 7.0 / 9.0 / 12.5	pF
Frequency tolerance ³⁾	ΔF/F	±20	ppm
	ΔF/F	±100	ppm
Series resistance typ./max.	R _S	50 / 70	kΩ
Motional capacitance typ.	C ₁	2.8	fF
Static capacitance typ.	C ₀	1.2	pF
Drive level max.	P	1.0	μW
Insulation resistance min.	R _i	500	MΩ
Aging first year max.	ΔF/F	±3	ppm
Turnover temperature	T ₀	25 ±5	°C
Frequency vs. temperature	ΔF/F ₀	-0.035 ppm/°C² (T - T ₀)² ±10%	

- 1) Other frequencies on request.
2) Other load capacitances on request.
3) Tighter frequency tolerances on request.

STANDARD FREQUENCIES

Frequencies
32.768 kHz / 102.400 kHz
Other frequencies on request

ENVIRONMENTAL CHARACTERISTICS

		Conditions	Max. Dev.
Storage temp. range		-55 to +125°C	
TA Operating temperature range		-40 to +85°C	
TB Extended oper. temp. range		-40 to +125°C	
TC Extended oper. temp. range		-55 to +125°C	
Shock resistance	ΔF/F	5000 g, 0.3 ms, ½ sine	±5 ppm
Vibration resistance	ΔF/F	20 g / 10–2000 Hz	±5 ppm

TERMINATIONS AND PROCESSING

Type	Termination	Processing
CC5V-T1A	For SMT mounting Au flashed pads	IPC/JEDEC J-STD-020C 260°C / 20 - 40 s
CC5V-T2A	SnPb plated pads available on request	

ORDERING INFORMATION

C C 5 V - T 1 A 32.768 kHz 12.5 pF ±20 ppm TA QC

Ceramic package _____

Ceramic lid _____

Package size _____
5 = 4.1 x 1.5 x 0.9 mm

Tuning fork _____

SMT Package _____

Pads _____
1 = Au flashed pads
2 = SnPb plated pads

Pads on both ends _____

Frequency F_L _____
32.768 kHz

Load capacitance C_L _____
6.0 pF
7.0 pF
9.0 pF
12.5 pF
Other C_L on request

Frequency tolerance _____
±20 ppm
±100 ppm
Tighter freq. tolerances on request

Temperature range _____
TA = -40 to +85°C (Standard)
TB = -40 to +125°C
TC = -55 to +125°C

Qualification _____
QC = Commercial Grade (Standard)
QM = Medical Grade

A unique part number will be generated for each product specification, i.e:	
20xxx-MG01	1'000 pcs (in 12 mm tape on 7" reel)
20xxx-MG03	3'000 pcs (in 12 mm tape on 7" reel)
20xxx-PG14	14'000 pcs (in 12 mm tape on 13" reel)

All specifications subject to change without notice.