

actual size

# Quartz Crystal · SS3

Pin Type Crystal · 11.35 x 4.65 mm

- recommended for automotive applications
- wave soldering temperature: 260 °C max.
- package height 3.6 mm max.



RoHS compliant

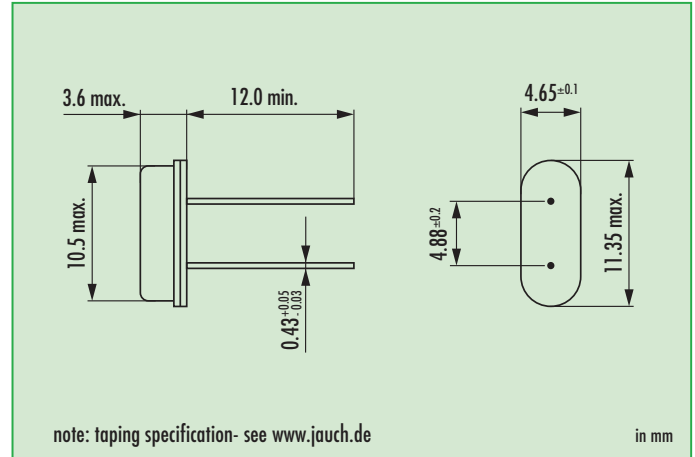


Pb free: pins / pads

## General Data

type		SS3
frequency range	fund. AT-cut	3.27680 ~ 33.0 MHz
	3rd OT AT-cut	ask for availability
	fund. BT-cut	ask for availability
frequency tolerance at 25 °C		± 20 ppm ~ ± 50 ppm / ± 50 ppm if ≤ 3.57 MHz
load capacitance $C_L$		12 pF ~ 32 pF or series / 30 pF standard
shunt capacitance $C_0$		< 5 pF
storage temperature		-40 °C ~ +125 °C
shock resistance		> 100 g (half sine pulse, 0.6 ms)
drive level max.		500 µW (100 µW recommended)
aging		< ± 5 ppm first year

## Dimensions



## Frequency Stability vs. Temperature

		± 20 ppm	± 30 ppm	± 50 ppm	± 100 ppm	± 150 ppm	+10/-100 ppm
-20 °C ~ +70 °C	STD	D	○	●			○ BT-cut
-40 °C ~ +85 °C	T1		○	● (*)	○		
-40 °C ~ +105 °C	T2			○	○		
-40 °C ~ +125 °C	T3					○	

● standard (\* if ≤ 3.57 MHz, not better than ± 100 ppm at temp. range T1)  
 ○ available  
 D ask, if available

## ESR (series resistance $R_s$ )

frequency in MHz	vibration mode	ESR max. in Ω	ESR typ. in Ω
3.276 ~ 3.499	fund. AT	200	100
3.500 ~ 3.999	fund. AT	120	80
4.000 ~ 5.999	fund. AT	80	60
6.000 ~ 6.999	fund. AT	70	35
7.000 ~ 8.999	fund. AT	50	25
9.000 ~ 13.999	fund. AT	35	15
14.000 ~ 33.000	fund. AT	30	10
ask	3rd OT AT	(100)	(60)
ask	fund. BT	(50)	(20)

numbers in brackets ( ) only for reference

## Automotive application note

- automotive quartz crystals have superior environmental performance in case of shock, vibration and temperature
- extended operating temperatures up to +125 °C
- production is certified according to: ISO 9001 / TS 16949 / ISO 14001

## Order Information

Q	frequency	type	load capacitance in pF	stability at 25 °C	stability vs. temp. range	option
Quartz	3.27680 ~ 33.0 MHz	SS3	12 pF ~ 32 pF S for series 30 pF standard	30 = ± 30 ppm std 20 = ± 20 ppm 50 = ± 50 ppm	see table	blank = -20 °C ~ +70 °C T1 = -40 °C ~ +85 °C T2 = -40 °C ~ +105 °C T3 = -40 °C ~ +125 °C FU = for fundamental frequencies ≥ 20 MHz 3OT = 3rd overtone (if available) BT = fundamental BT-cut (if available) MP = middle pin TR = taped TA = taped, ammo pack KIS = insulation spacer LL = lead length in mm PT = plastic tray

Example: Q 30.0-SS3-30-30/50-FU-LF (Suffix LF = RoHS compliant / Pb free pins or pads)



SHENZHEN YIJIN ELECTRONICS CO: LTD TEL: 0755-27876565

18924600166 QQ: 857950243

<http://www.vc-tcxo.com>