

CRYSTAL UNIT

SX-7050

Applications

- Cellular / PHS / Cordless Telephones / Pagers

Features

- Dimensions (7.0 × 5.0 × 1.1)
- Ceramic SMD Package
- Vacuum Seam Sealed
- Tight Tolerance and Stability
- Reflow Soldering / Emboss Taping

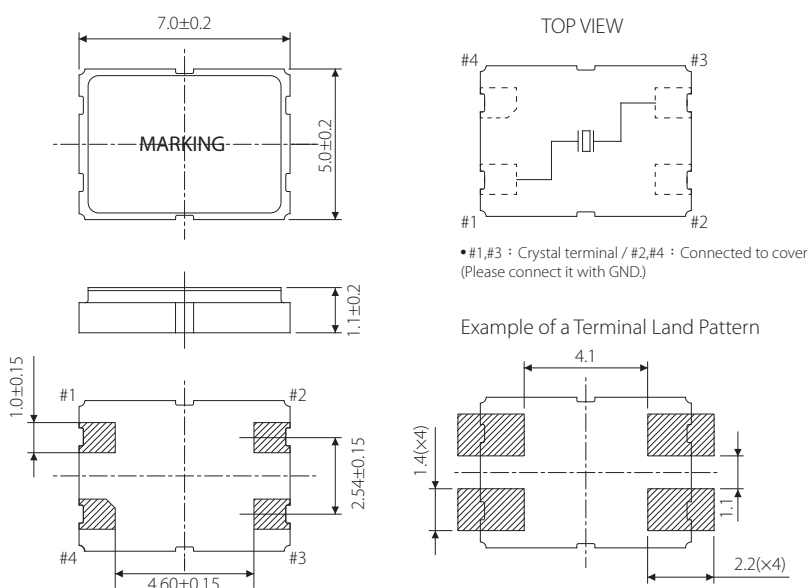
Specifications



Model	SX-7050			
Nominal frequency range	6.000~40.000 MHz		30.000~100.000 MHz	
Crystal cut	Fundamental [AT-cut]		3rd overtone [AT-cut]	
Storage temperature range	-40~+90°C			
Operating temperature range	-10~+60°C	-30~+80°C	-10~+60°C	-30~+80°C
Frequency temperature characteristics (Ref. to +25°C)	± 10 × 10 ⁻⁶	± 20 × 10 ⁻⁶	± 10 × 10 ⁻⁶	± 20 × 10 ⁻⁶
Frequency tolerance (at +25°C)	± 10 × 10 ⁻⁶ , ± 20 × 10 ⁻⁶ , ± 30 × 10 ⁻⁶			
Equivalent series resistance	80 Ω: 6.000~7.999 MHz 60 Ω: 8.000~9.999 MHz 40 Ω: 10.000~14.999 MHz 30 Ω: 15.000~40.000 MHz		80 Ω: 30.000~100.000 MHz	
Load capacitance	series, 16pF, 20pF, 30pF			
Shunt capacitance	5pF max.			
Level of drive	10 μW (100 μW max.)			

Package quantity: 1,000pcs max./Reel.

Outline and Dimensions [unit:mm]



Maximum marking length		Marking
line1	line2	
8	8	Laser
ex.)		16. 0GA SIWARD