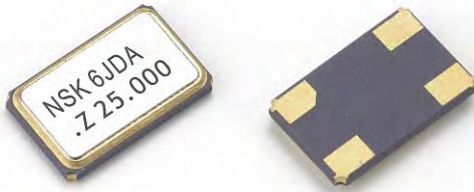


SMD TYPE CERAMIC (SMD 5 x 3.2)



Application of SMD crystal:

- Radio communication
- TCXO
- Office automation equipment
- GPS
- Audio-visual equipment



{Features}

Seam welding
Excellent solderability
Automatic and perfect packing due to emboss taping
Excellent vibration resistance & shock resistance
Rohs compliant / Pb free

Electrical Specification:

Model	NXH-53
1.Frequency	
Frequency Range	10.0 ~ 125.000 MHz
Frequency Tolerance at 25 °C ± °C	±0 ~ ±30 ppm (TYP.)
Frequency Stability Over Operating Temp Range	±0 ~ ±30 ppm (TYP.)
2.Environmental Condition	
Operating Temp Range	-10 °C ~ +60 °C, -20 °C ~ +70 °C or customer requirement
Storage Temp Range	-40 °C ~ +85 °C
Aging Rate	±3ppm/year
3.Electrical Specifications	
Test Circuit	S&A 250B
Load Capacitance	6 pF ~ 32 pF, series or special
Drive Level	1uW ~ 100uW or special
Shunt Capacitance	7.0pF max

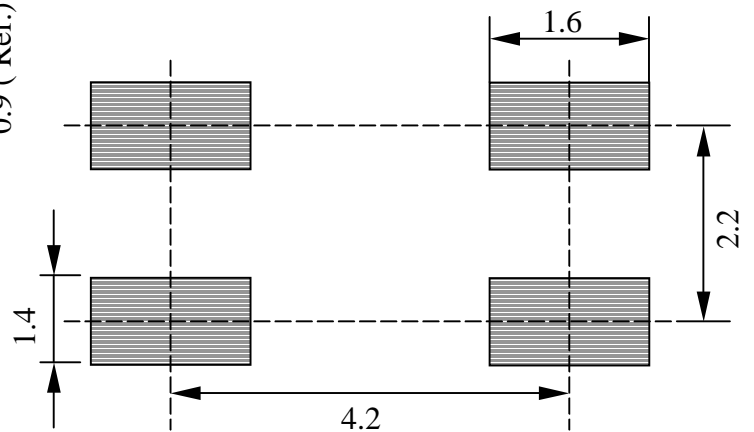
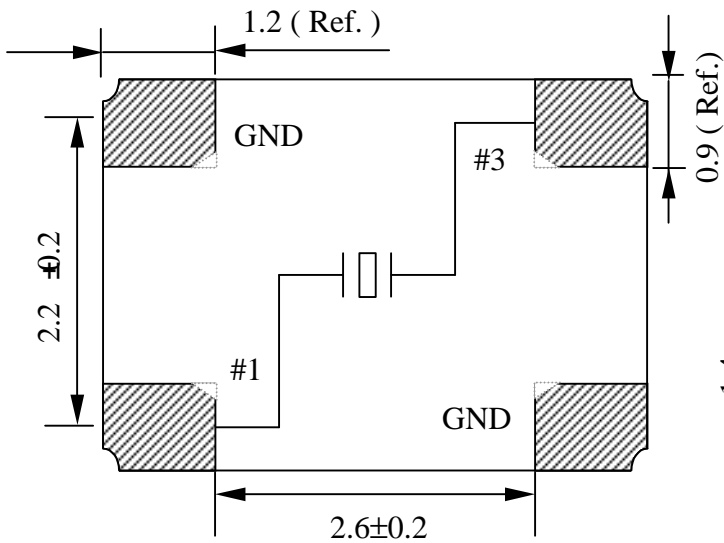
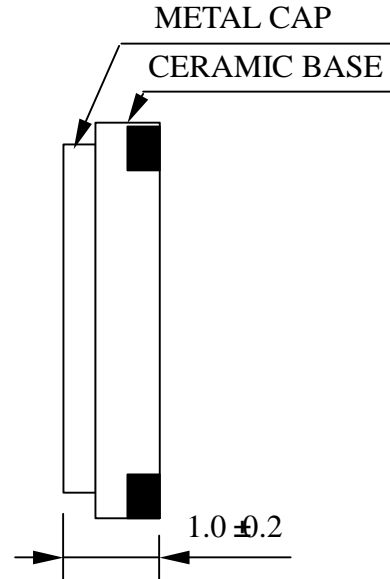
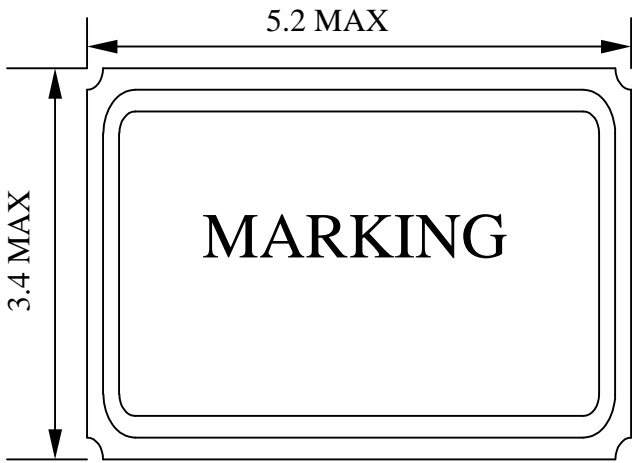
Equivalent Series Resistance(ESR) VS Frequency:

Frequency (MHz)	Oscillation Mode	NXH-53
10 ~ 12.0	Fundamental	90
12.1 ~ 25.0	Fundamental	70
25.1 ~ 52.0	Fundamental	40
45.1 ~ 125.0	3rd overtone	100

SHENZHEN YIJIN ELECTRONICS CO: LTD TEL: 0755-27876565

18924600166 QQ: 857950243 <http://www.vc-tcxo.com>

Dimensions (mm):



<TOP VIEW>

(Recommended Land Pattern)

Tape specification (mm):

